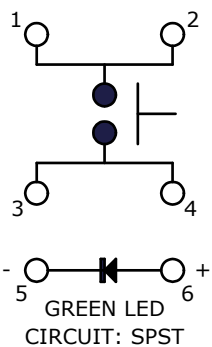
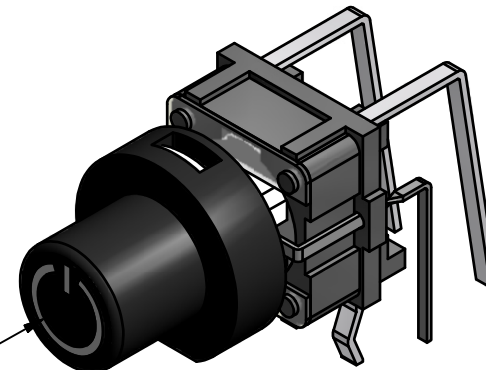


P.C.B. LAYOUT



LED SPECS	UNITS	GREEN
FORWARD CURRENT	mA	20 TYP.
FORWARD VOLTAGE	V	2.1 TYP. - 2.5 MAX.
LUMINOUS INTENSITY	MCD	800 TYP.

E

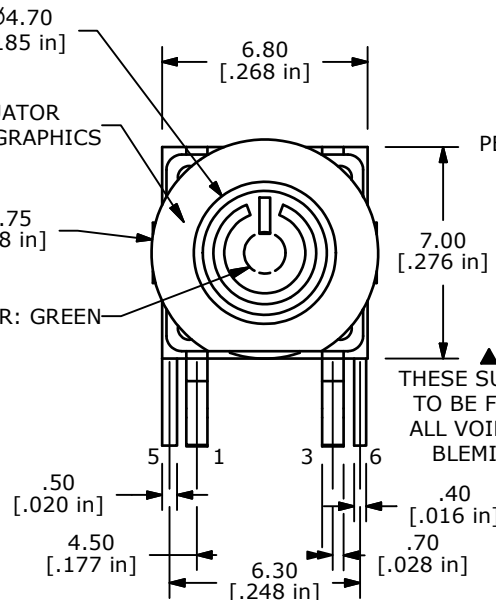


'POWER' TRANSLUCENT GRAPHICS

NOTES:

- ALL DIMENSIONS IN MM [INCH]
- GENERAL TOLERANCE: X.X=±0.4
X.XX=±0.25
- RATING: 12VDC @ 50mA
- CONTACT RESISTANCE: 100mΩ MAX.
- INSULATION RESISTANCE: 100MΩ MIN.
- OPERATING FORCE: 160± 50gf
- TRAVEL: 0.2±0.1mm
- OPERATING TEMPERATURE: -20°C TO 70°C
- OPERATING LIFE 500,000 CYCLES
- LED COLOR: GREEN
- ▲ DENOTED CRITICAL PARAMETER E
- 2002/95/EC (ROHS) COMPLIANT
- PACKAGE: 100 PIECES PER TRAY H

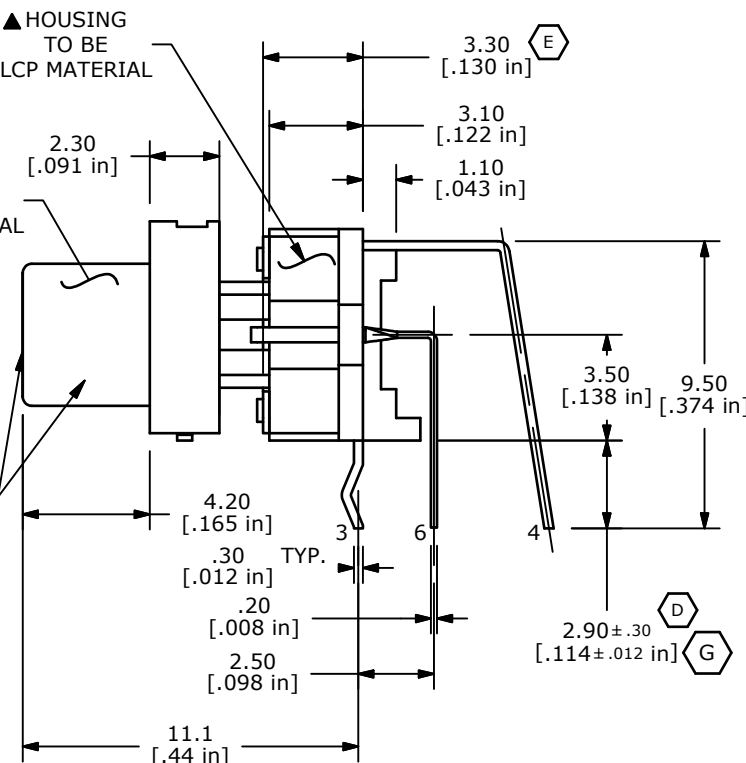
BLACK ACTUATOR WITH ETCHED GRAPHICS
 R3.75 [.148 in]
 Ø4.70 [.185 in]
 ▲ LED COLOR: GREEN



THESE SURFACES TO BE FREE OF ALL VOIDS AND BLEMISHES

▲ HOUSING TO BE LCP MATERIAL
 BUTTON TO BE PES MATERIAL

▲ HOUSING TO BE LCP MATERIAL



D

G

REV	PCR NO	DESCRIPTION	DATE	BY
H	21653	UPDATED NOTES	10/22/14	AS
G	20959	2.9±.3 WAS 3.1±.1, ADD VERT TO TITLE	1/9/13	EBP
F	20196	ADD SURFACE NOTE	10/05/11	BGL
E	19956	CORRECT LIFE NOTE AND LED CHART	05/17/11	BMA
D	19668	DIMENSION CHANGE was 3.65	2/8/11	BGL
C	19361	NEW RELEASE	11/04/10	BMA



TITLE TL1260GQSBLK-PWRVERT G

SCALE	DATE	DR	DWG	REV
4:1	10/15/2010	BLR	B200016	H